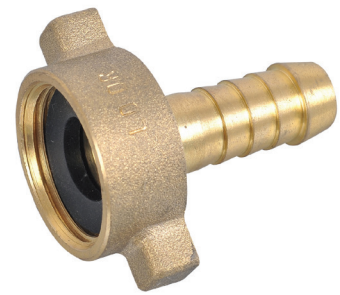
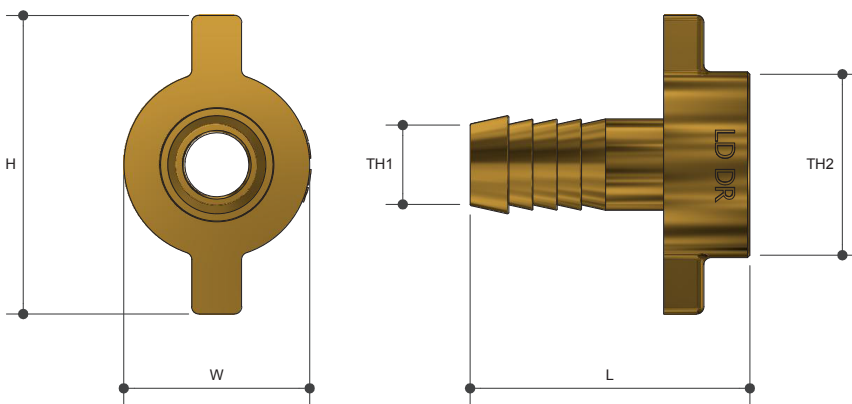


SCREWED BRASSWARE

Hose Nut and Tail

Product Specifications



Specifications

Maximum working temperature 1 °C to 60 °C

Maximum pressure rating 1600kPa

Features

Watermark approved

DR Brass

Tested and certified to AS 3688

Sizing Chart (MM)

	L	H	W	TH1	TH2
NT1515	49	45	26	DN15	G 1/2"
NT2015	48	45	31	DN15	G 3/4"
NT2020	51	45	31	DN20	G 3/4"
NT2520	58	62	38	DN20	G 1"
NT2525	63	62	38	DN25	G 1"
NT3232	67	77	47	DN32	G 1 1/4"
NT4040	84	83	54	DN40	G 1 1/2"
NT5040	85	100	65	DN40	G 2"
NT5050	86	100	65	DN50	G 2"
NT6565	96	123	82	DN65	G 2 1/2"
NT8080	112	136	95	DN80	G 3"
NT100100	100	161	121	DN100	G4"

Material Chart

Part	Material
Nut	DR Brass
Barb	DR Brass
Washer	EPDM

For more information on Metforge, contact:

Austworld 15 Activity Crescent, Molendinar, Queensland 4214 Australia

P. 1300 780 430

F. 1300 780 441

E. info@austworld.com.au

Austworld Pty Ltd. All rights reserved 2018. Austworld and Metforge are registered trade mark belonging to Austworld Pty Ltd.

