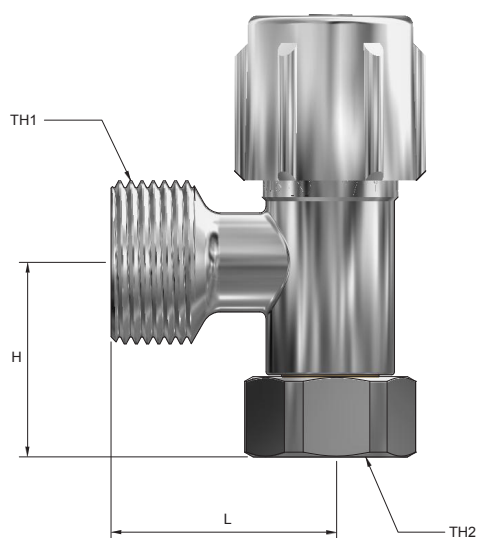


Washing Machine Stop Swivel Nut

SD20SNC

Product Specifications



MT MONOPOLY™
T A P W A R E



Specifications

Maximum working temperature 80°C

Maximum pressure rating 1000kPa

Sizing Chart [MM]

SD20SNC	L	H	TH1	TH1
	37	32	G 3/4"	G 1/2"

Features

Watermark approved

Chrome plated finish

Ceramic Disc

Fitquik Swivel Nut for ease of installation

Australian patent number 2016100282

Tested and certified to AS/NZS 3718



fitQuik

REVOLUTIONARY
SWIVEL NUT DESIGN

For more information on Monopoly Tapware, contact:
Austworld 15 Activity Crescent, Molendinar, Queensland 4214 Australia
P. 1300 780 430 F. 1300 780 441 E. info@austworld.com.au

Austworld Pty Ltd. All rights reserved 2018. Austworld and Monopoly Tapware are registered trade mark belonging to Austworld Pty Ltd.

AW
AUSTWORLD