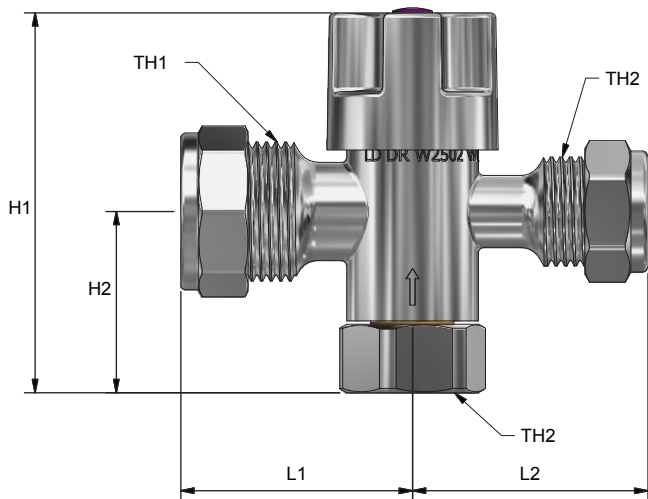


Dual Isolation Stop Quarter Turn Swivel Nut

SDMH2015

Product Specifications



MT MONOPOLY™
TAPWARE



Specifications

Maximum working temperature 80°C

Maximum pressure rating 1000kPa

Sizing Chart [MM]

	L1	L2	H1	H2	TH1	TH2
SDMH2015	45	45	72	43	G 3/4"	G 1/2"

Features

Watermark approved

Chrome plated finish

Integral non return valve

Fashionable metal handle

No water hammer

Simplicity of operation

Premium quarter turn ceramic disc

Fitquik Swivel Nut for ease of installation

Supplied with red & blue indicator buttons

Australian patent number:
2003213322 | 2016100282

Tested and certified to AS/NZS 3718



For more information on Monopoly Tapware, contact:
Austworld 15 Activity Crescent, Molendinar, Queensland 4214 Australia

P. 1300 780 430 F. 1300 780 441 E. info@austworld.com.au

Austworld Pty Ltd. All rights reserved 2018. Austworld and Monopoly Tapware are registered trade mark belonging to Austworld Pty Ltd.

