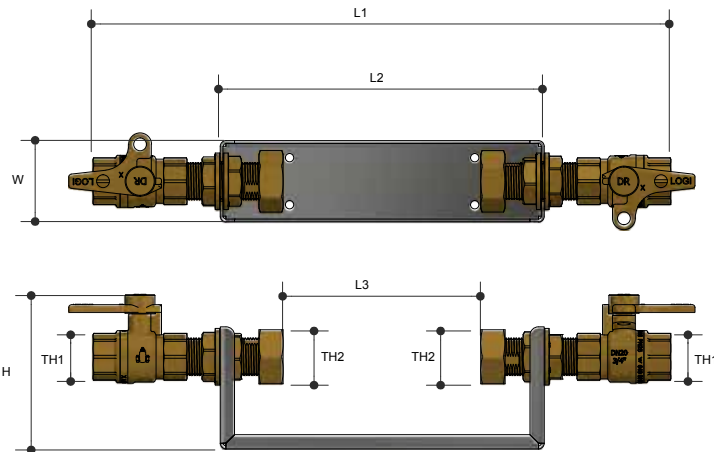


# SUB METERING

## Sub Metering Kit Fixed

### Product Specifications



### Specifications

Working temperature 1°C to 90°C

Max. pressure rating 1600kPa

Meter thread

### Sizing Chart (MM)

	SIZE	L1	L2	L3	H	W	TH1	TH2
SMK05	20MM	386 - 430	227	129 - 153	108	57	Rp 3/4"	DN20*
SMK06	25MM	445 - 475	257	162 - 192	119	67	Rp 1"	DN25*

\*Meter thread QLD/VIC AS1722.2

### Description

Austworld sub metering kits have been developed for ease of installation and the minimisation of installation times. The integrated valve design gives more adjustment for different types of meters and the limited number of joints reducing the chances of leaking.

The SMK has been designed to be used with most brands meters such as RMC, Hyrdus, Elster, Itron and any other meters that fit inside the tolerances of the couplings

For more information on Logi Civil, contact:

Austworld 15 Activity Crescent, Molendinar, Queensland 4214 Australia

P. 1300 780 430

F. 1300 780 441

E. info@austworld.com.au

### Features

Watermark approved

Dual lockable ball valves

SS304 welded plate for strength and longevity

Maximum valve adjustment

100% pressure tested

Valve fully pre-assembled

Locking nut on coupling

Tested and certified to AS 4796

### Material Chart

Part	Material
Plate	Stainless Steel
Ball Valves	DR Brass