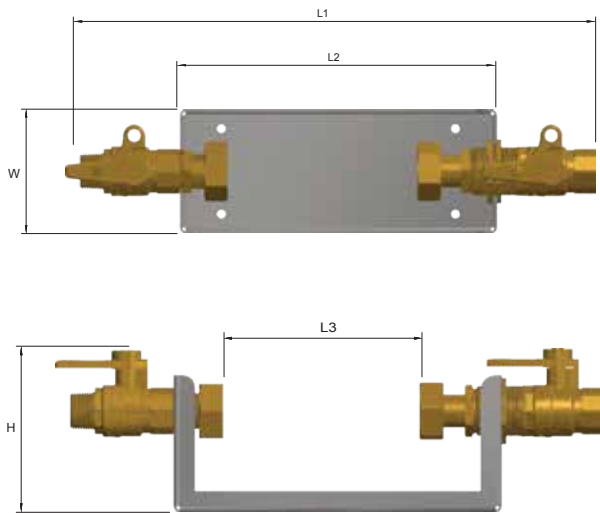


SUB METERING

Sub Metering Kit NSW

Product Specifications



General

Austworld sub metering kits have been developed for ease of installation and to minimise installation times. Austworld's integrated valve design does not only give you more adjustment for different types of meters, it also reduces the chances of a leaking joint dramatically.

The SMKNSW has been designed to be used with most brands meters such as RMC, Hyrdus, Elster, Itron and any other meters that fit inside the tolerances of the couplings.

Specifications

Working temperature 0-90°C

Maximum working pressure 2500 KPa

Adjustment length 129- 166

Meter thread

Sizing Chart [MM]

	L1	L2	L3	H	W
SMKNSW	360-385	230	129-166	114	90

Features

Watermark approved

Dual lockable ball valves

SS316 welded plate for strength and longevity

Adjustable spring loaded coupling

One piece valve to reduce the chance of leaks

Maximum valve adjustment

Double o ring seal

100% pressure tested

Valves fully pre-assembled

Locking nut

NSW Meter Coupling

Tested and certified to WMTS012

For more information on Logi Valve, contact:
Austworld 15 Activity Crescent, Molendinar, Queensland 4214 Australia
P. 1300 780 430 F. 1300 780 441 E. info@austworld.com.au

Austworld Pty Ltd. All rights reserved 2018. Austworld and Logi Valve are registered trade mark belonging to Austworld Pty Ltd.

