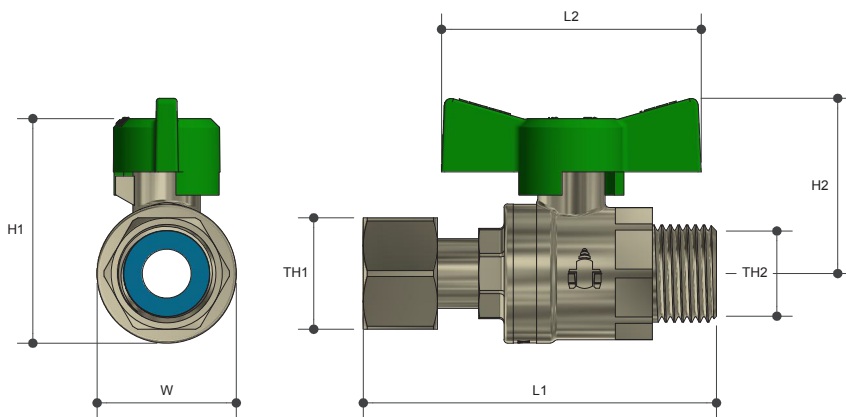


# SWIVEL NUT BALL VALVE

MI Water

Product Specifications



## Specifications

Working temperature -20°C to 120°C

Maximum pressure rating Water 2500kPa Gas 2100kPa

## Sizing Chart (MM)

|        | L1 | L2 | H1 | H2 | W  | TH1    | TH2    |
|--------|----|----|----|----|----|--------|--------|
| SN15MW | 76 | 56 | 49 | 38 | 30 | G 1/2" | G 1/2" |
| SN20MW | 77 | 56 | 49 | 38 | 30 | G 3/4" | G 3/4" |

## Features

Watermark and AGA approved

Full bore

100% pressure tested

Available in sizes 15mm (1/2") to 20mm (3/4")

Blow proof spindle

Swivel nut

Tested and certified to AS 4617

## Material Chart

| Part           | Material        |
|----------------|-----------------|
| Body           | DR Brass        |
| Body Cap       | DR Brass        |
| Seal           | PTFE            |
| Ball           | DR Brass        |
| Handle         | Aluminium       |
| Retaining Ring | Stainless Steel |
| O Ring         | FKM             |

For more information on Logi Valve, contact:

Austworld 15 Activity Crescent, Molendinar, Queensland 4214 Australia

P. 1300 780 430

F. 1300 780 441

E. [info@austworld.com.au](mailto:info@austworld.com.au)

Austworld Pty Ltd. All rights reserved 2018. Austworld and Logi Valve are registered trade mark belonging to Austworld Pty Ltd.

