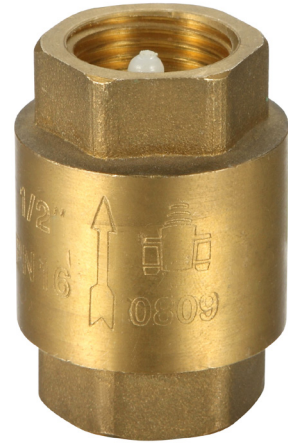
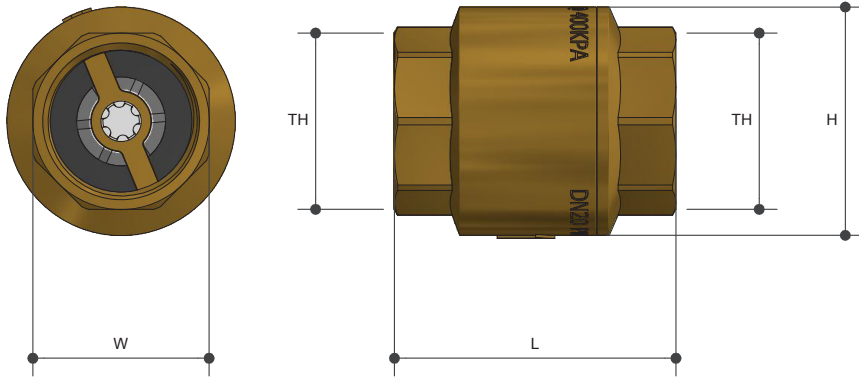


# NON RETURN VALVE

Spring Check Valve General Purpose

Product Specifications



## Specifications

Temperature range -DN20 to 60C

Maximum working pressure 1600KPa

## Features

DR Brass

Suitable for vertical and horizontal installations

Excellent flow rates

## Sizing Chart (MM)

	L	H	W	TH
SP10	42	20	22	G 3/8"
SP15	45	32	26	G 1/2"
SP20	50	41	31	G 3/4"
SP25	54	47	37	G 1"
SP32	57	57	46	G 1 1/4"
SP40	68	67	53	G 1 1/2"
SP50	72	79	66	G 2"
SP65	90	103	83	G 2 1/2"
SP80	99	110	95	G 3"
SP100	112	142	122	G 4"

## Material Chart

Part	Material
Washer	EPDM
Stem	POM
Body	Brass
Cap	Brass
Spring	Stainless Steel

For more information on Logi Valve, contact:  
 Austworld 15 Activity Crescent, Molendinar, Queensland 4214 Australia  
 P. 1300 780 430 F. 1300 780 441 E. info@austworld.com.au

Austworld Pty Ltd. All rights reserved 2018. Austworld and Logi Valve are registered trade mark belonging to Austworld Pty Ltd.

