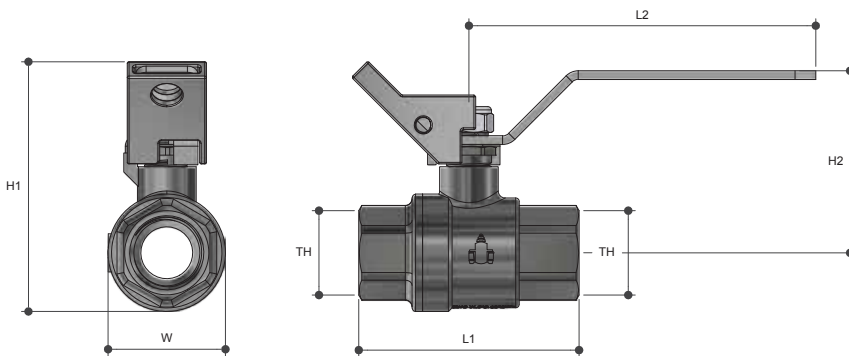


DUAL APPROVED BALL VALVE

Stainless Steel Lever Handle FI X FI Lockable

Product Specifications



Specifications

Working temperature -20°C to 120°C

Maximum pressure rating 4000kPa (Water and Gas)

Sizing Chart (MM)

	L1	L2	H1	H2	W	TH
SSLW15F	64	101	73	53	34	Rp 1/2"
SSLW20F	71	101	80	57	42	Rp 3/4"
SSLW25F	83	101	90	63	51	Rp 1"
SSLW32F	94	140	108	82	61	Rp 1 1/4"
SSLW40F	104	140	121	89	72	Rp 1 1/2"
SSLW50F	126	140	137	96	90	Rp 2"

Features

Watermark and AGA approved

Full bore

100% pressure tested

Available in sizes 15mm (1/2") to 50mm (2")

Blow proof spindle

Stainless steel handle, balls, nut

Tested and certified to SPEC012 and AS4617

Material Chart

Part	Material
Body	CF8M
Seal	PTFE
Ball	Stainless Steel
Bonnet	CF8M
Handle	Stainless Steel
Lock Nut	Stainless Steel
Spindle	Stainless Steel

For more information on Logi Valve, contact:
Austworld 15 Activity Crescent, Molendinar, Queensland 4214 Australia

P. 1300 780 430 F. 1300 780 441 E. info@austworld.com.au

Austworld Pty Ltd. All rights reserved 2018. Austworld and Logi Valve are registered trade mark belonging to Austworld Pty Ltd.

