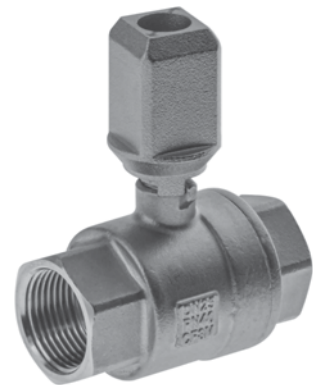
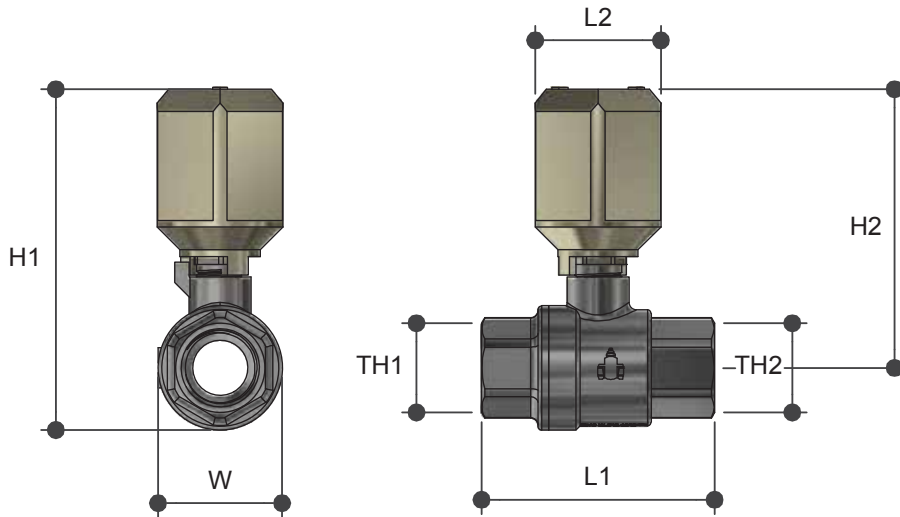


DUAL APPROVED BALL VALVE

Stainless Steel Lever Handle FI X FI



Product Specifications



Specifications

Working temperature -20°C to 120°C

Maximum pressure rating 4000kPa

Sizing Chart (MM)

	L1	L2	H1	H2	W	TH
SSUW15F	64	35	94	77	34	Rp 1/2"
SSUW20F	71	35	101	80	42	Rp 3/4"
SSUW25F	83	35	112	87	51	Rp 1"
SSUW32F	94	35	122	92	61	Rp 1 1/4"
SSUW40F	104	35	135	99	72	Rp 1 1/2"
SSUW50F	126	35	151	106	90	Rp 2"

Features

Watermark and AGA approved

Full Bore

100% pressure tested

Available in sizes 15mm (1/2") to 50mm (2")

Blow proof spindle

DR brass handle

Suitable for underground installations

Tested and certified to SPEC012 and AS4617

Material Chart

Part	Material
Body	DR Brass
Seal	PTFE
Ball	Stainless Steel
Bonnet	DR Brass
Handle	Stainless Steel
Lock Nut	Stainless Steel
O Ring	EPDM
Spindle	Stainless Steel

For more information on Logi Valve, contact:

Austworld 15 Activity Crescent, Molendinar, Queensland 4214 Australia

P. 1300 780 430

F. 1300 780 441

E. info@austworld.com.au

Austworld Pty Ltd. All rights reserved 2018. Austworld and Logi Valve are registered trade mark belonging to Austworld Pty Ltd.

