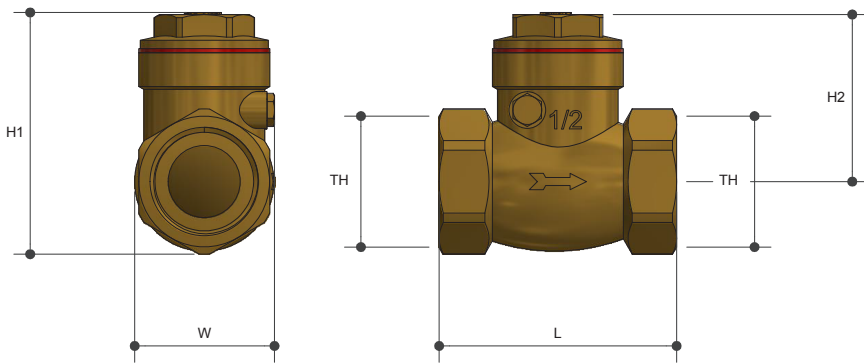


# NON RETURN VALVE

Swing Check Valve General Purpose

Product Specifications



## Specifications

Working temperature - 20°C to 120°C

Maximum pressure rating 1600KPa

## Features

100% pressure tested

Available in sizes from 15mm (1/2") to 100mm (4")

Suitable for horizontal and vertical installations

## Sizing Chart (MM)

	L	H1	H2	W	TH
SW15	47	52	48	26	Rp 1/2"
SW20	57	57	59	32	Rp 3/4"
SW25	63	71	64	38	R 1"
SW32	77	80	77	47	R 1 1/4"
SW40	78	92	80	54	R 1 1/2"
SW50	92	107	93	66	R 2"
SW65	104	127	105	83	R 2 1/2"
SW80	124	138	124	95	R 3"
SW100	164	177	161	122	R 4"

## Material Chart

Part	Material
Body	Brass
Check Disc	Brass
Cap	Brass
Pin Fixing Screw	Brass
O-Ring	EPDM
Pin	Stainless Steel

For more information on Logi Valve, contact:  
Austworld 15 Activity Crescent, Molendinar, Queensland 4214 Australia

P. 1300 780 430 F. 1300 780 441 E. info@austworld.com.au

Austworld Pty Ltd. All rights reserved 2018. Austworld and Logi Valve are registered trade mark belonging to Austworld Pty Ltd.

