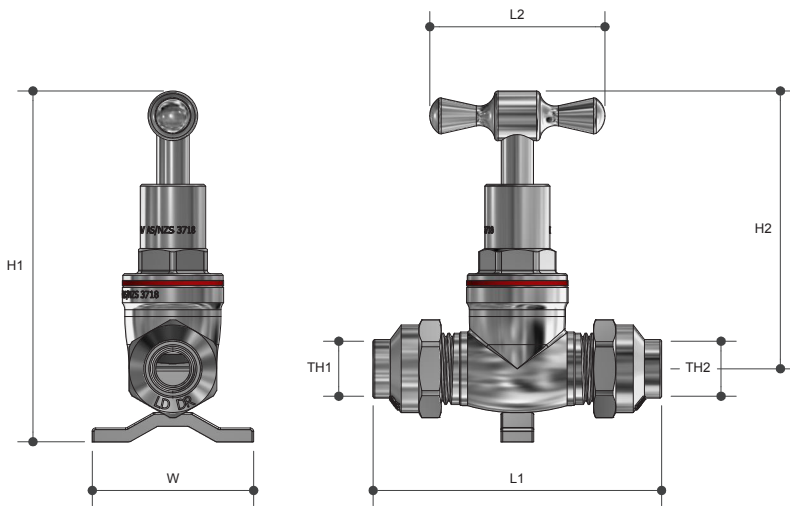


# STOP TAPS

Flared Lugged

Product Specifications

Metforge®  
brassware



## Specifications

Working temperature 1 °C to 75 °C

Max. pressure rating 1000kPa

## Sizing Chart (MM)

	L1	L2	H1	H2	W	TH1	TH2
TH01-1	84	51	102	81	47	DN15	DN15

## Features



Watermark approved

DR Brass

100% pressure tested

Gland packed

Tested and certified to AS/NZS 3718

## Material Chart

Part	Material
Handle	Brass
Body	DR Brass
Washer	Fibre
Bonnet	DR Brass
Spindle	DR Brass
Seal	EPDM
O Ring	EPDM
Jumper	PA
Compression Nut	Brass

For more information on Metforge, contact:

Austworld 15 Activity Crescent, Molendinar, Queensland 4214 Australia

P. 1300 780 430

F. 1300 780 441

E. [info@austworld.com.au](mailto:info@austworld.com.au)

Austworld Pty Ltd. All rights reserved 2018. Austworld and Metforge are registered trade mark belonging to Austworld Pty Ltd.

**AW**  
AUSTWORLD