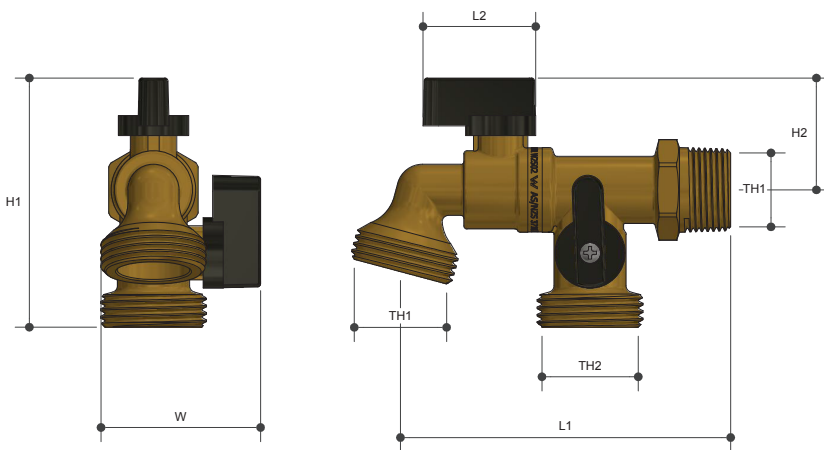


HOSE TAPS

Dual Outlet Quarter Turn MI

Product Specifications



Specifications

Working temperature 1 °C to 60 °C

Max. pressure rating 1600kPa

Sizing Chart (MM)

| | L1 | L2 | H1 | H2 | W | TH1 | TH2 |
|-------|-----|----|----|----|----|------|--------|
| TH107 | 103 | 35 | 78 | 34 | 50 | G 1" | R 3/4" |

Features

Watermark approved

100% pressure tested

Blow proof spindle

Integral check valve

Tested and certified to AS/NZS 3718

Material Chart

| Part | Material |
|---------|-----------------|
| Body | DR Brass |
| Ball | DR Brass |
| O Ring | EPDM |
| Washer | Stainless Steel |
| Spindle | DR Brass |
| Handle | Aluminium |

For more information on Metforge, contact:

Austworld 15 Activity Crescent, Molendinar, Queensland 4214 Australia

P. 1300 780 430

F. 1300 780 441

E. info@austworld.com.au

Austworld Pty Ltd. All rights reserved 2018. Austworld and Metforge are registered trade mark belonging to Austworld Pty Ltd.

