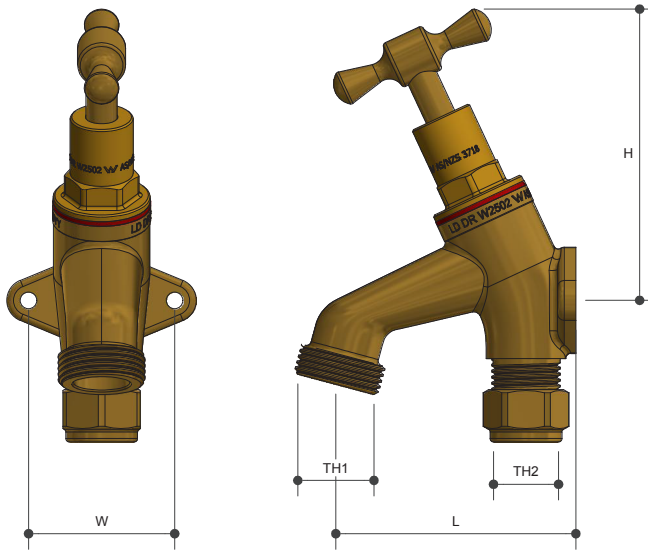


HOSE TAPS

Back Plated Nylon Compression

Product Specifications

Metforge®
brassware



Specifications

Working temperature 1 °C to 75 °C

Max. pressure rating 1000kPa

Features

Watermark approved

100% pressure tested

Blow proof spindle

Tested and certified to AS/NZS 3718

Sizing Chart (MM)

	L	H	W	TH1	TH2
TH58-1	72	88	45	G 3/4"	15C
TH59-1	72	88	45	G 1"	20C

Material Chart

Part	Material
Body	DR Brass
Ball	DR Brass
O Ring	EPDM
Washer	Fibre
Spindle	DR Brass
Handle	Brass
Seal	EPDM
Jumper	PA

For more information on Metforge, contact:

Austworld 15 Activity Crescent, Molendinar, Queensland 4214 Australia

P. 1300 780 430

F. 1300 780 441

E. info@austworld.com.au

Austworld Pty Ltd. All rights reserved 2018. Austworld and Metforge are registered trade mark belonging to Austworld Pty Ltd.

AW
AUSTWORLD