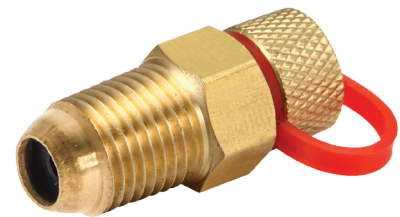
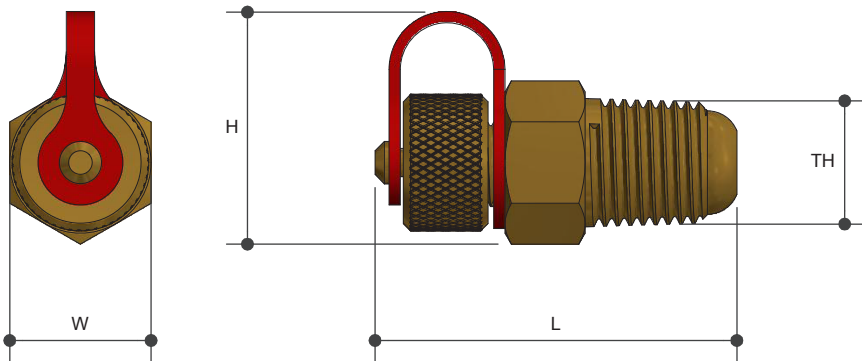


TEST PLUG

Water

Product Specifications



Specifications

Maximum working temperature 99°C

Maximum working pressure 2000kPa

Sizing Chart [MM]

	L	H	W	TH
TP06	38	25	15	R 1/2"

Features

DR Brass

One piece rubber inner body

Suitable for HVAC Ball Valves

For more information on Logi Valve, contact:
Austworld 15 Activity Crescent, Molendinar, Queensland 4214 Australia
P. 1300 780 430 F. 1300 780 441 E. info@austworld.com.au

Austworld Pty Ltd. All rights reserved 2018. Austworld and Logi Valve are registered trade mark belonging to Austworld Pty Ltd.

