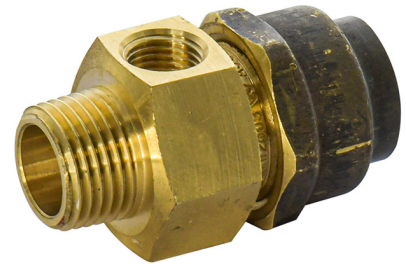
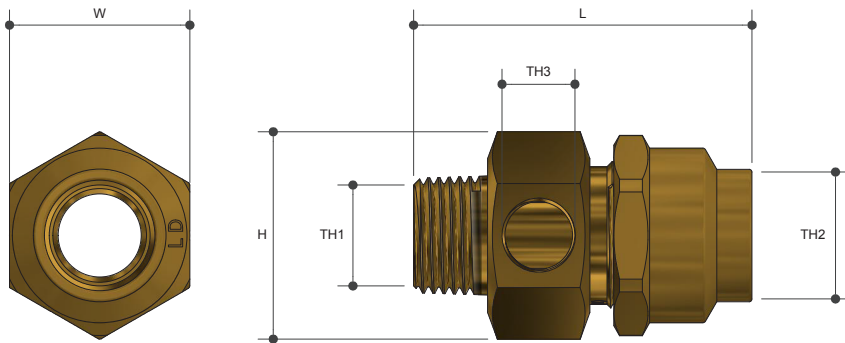


COPPER COMPRESSION

Union Reducing for Test Point MI X C

Product Specifications



Specifications

Maximum working temperature 1°C to 60°C

Maximum pressure rating 1600kPa

Sizing Chart (MM)

	L	H	W	TH1	TH2	TH3
TU06	60	36	32	R 1/2"	20C	Rp 1/4"

Features

Watermark approved

DR Brass

Tested and certified to AS 3688

Material Chart

Part	Material
Nipple	DR Brass
Nut	DR Brass

For more information on Logi Valve, contact:
Austworld 15 Activity Crescent, Molendinar, Queensland 4214 Australia
P. 1300 780 430 F. 1300 780 441 E. info@austworld.com.au

Austworld Pty Ltd. All rights reserved 2018. Austworld and Logi Valve are registered trade mark belonging to Austworld Pty Ltd.

