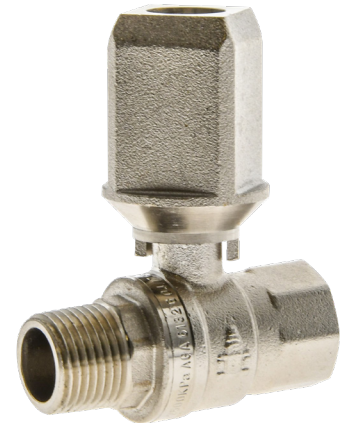
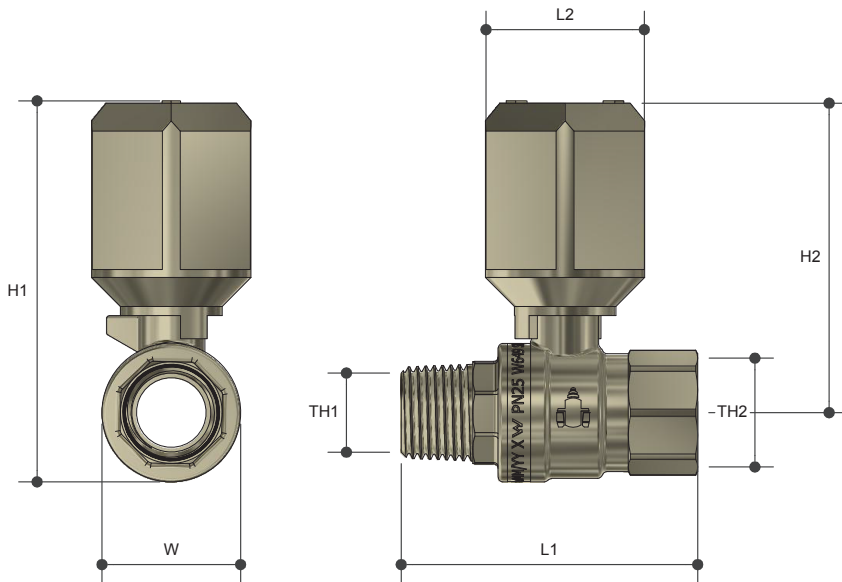


GAS APPROVED BALL VALVE

Underground MI X FI

Product Specifications



Specifications

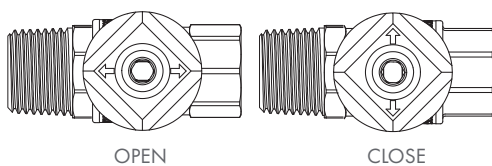
Working temperature -20°C to 120°C

Maximum pressure rating 2100kPa

Sizing Chart (MM)

| | L1 | L2 | H1 | H2 | W | TH1 | TH2 |
|---------|-----|----|-----|----|----|----------|-----------|
| UGBV15M | 64 | 34 | 83 | 67 | 30 | R 1/2" | Rp 1/2" |
| UGBV20M | 70 | 34 | 89 | 71 | 37 | R 3/4" | Rp 3/4" |
| UGBV25M | 87 | 34 | 96 | 75 | 46 | R 1" | Rp 1" |
| UGBV32M | 100 | 34 | 110 | 82 | 58 | R 1 1/4" | Rp 1 1/4" |
| UGBV40M | 113 | 34 | 122 | 87 | 69 | R 1 1/2" | Rp 1 1/2" |
| UGBV50M | 130 | 34 | 138 | 96 | 84 | R 2" | Rp 2" |

Arrow Orientation



Features

AGA approved

Full Bore

100% pressure tested

Available in sizes 15mm (1/2") to 50mm (2")

Blow proof spindle

Suitable for underground installations

DR brass handle

Tested and certified to AS4617 (for Gas)

Material Chart

| Part | Material |
|-------------------|-----------------|
| Body | DR Brass |
| Seal | PTFE |
| Ball (15-40mm) | DR Brass |
| Ball (50MM) | Stainless Steel |
| Spindle (15-40MM) | DR Brass |
| Spindle (50MM) | Stainless Steel |
| Bonnet | DR Brass |
| O Ring | HNBR |
| Handle | DR Brass |
| Lock Nut | DR Brass |

For more information on Logi Valve, contact:
 Austworld 15 Activity Crescent, Molendinar, Queensland 4214 Australia
 P. 1300 780 430 F. 1300 780 441 E. info@austworld.com.au

Austworld Pty Ltd. All rights reserved 2018. Austworld and Logi Valve are registered trade mark belonging to Austworld Pty Ltd.

