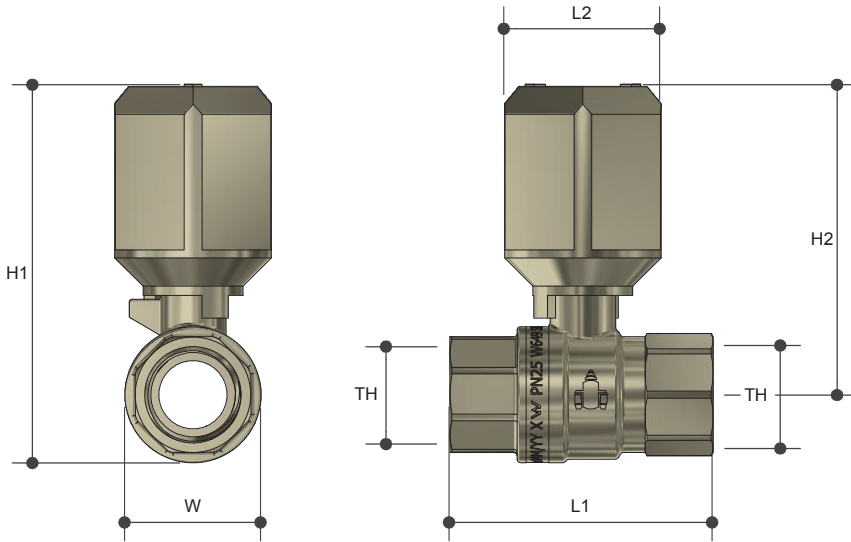


# WATERMARKED BALL VALVE

Underground FI X FI

Product Specifications



## Specifications

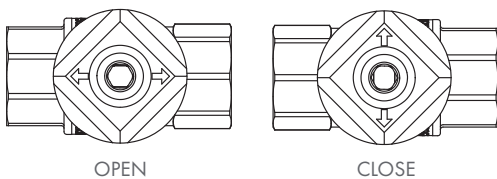
Working temperature -20°C to 120°C

Maximum pressure rating Water 2500kPa Gas 2100kPa

## Sizing Chart (MM)

	L1	L2	H1	H2	W	TH
UW15F	58	27	83	68	30	Rp 1/2"
UW20F	66	27	90	71	37	Rp 3/4"
UW25F	81	27	101	78	46	Rp 1"
UW32F	91	27	112	84	58	Rp 1 1/4"
UW40F	102	27	124	89	69	Rp 1 1/2"
UW50F	121	27	140	98	84	Rp 2"

## Arrow Orientation



## Features

Watermark and AGA approved

Full Bore

100% pressure tested

Available in sizes 15mm (1/2") to 50mm (2")

Blow proof spindle

Suitable for underground installations

Tested and certified to:

AS4796 (for Water) | AS4617 (for Gas)

## Material Chart

Part	Material
Body	DR Brass
Seal	PTFE
Ball (15-40MM)	DR Brass
Ball (50MM)	Stainless Steel
Bonnet	DR Brass
Spindle (15-40MM)	DR Brass
Spindle (50MM)	Stainless Steel
O Ring	FKM
Handle	Stainless Steel
Lock Nut	Stainless Steel

For more information on Logi Valve, contact:

Austworld 15 Activity Crescent, Molendinar, Queensland 4214 Australia

P. 1300 780 430

F. 1300 780 441

E. info@austworld.com.au

Austworld Pty Ltd. All rights reserved 2018. Austworld and Logi Valve are registered trade mark belonging to Austworld Pty Ltd.

