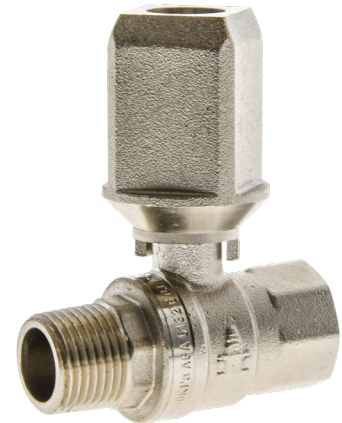
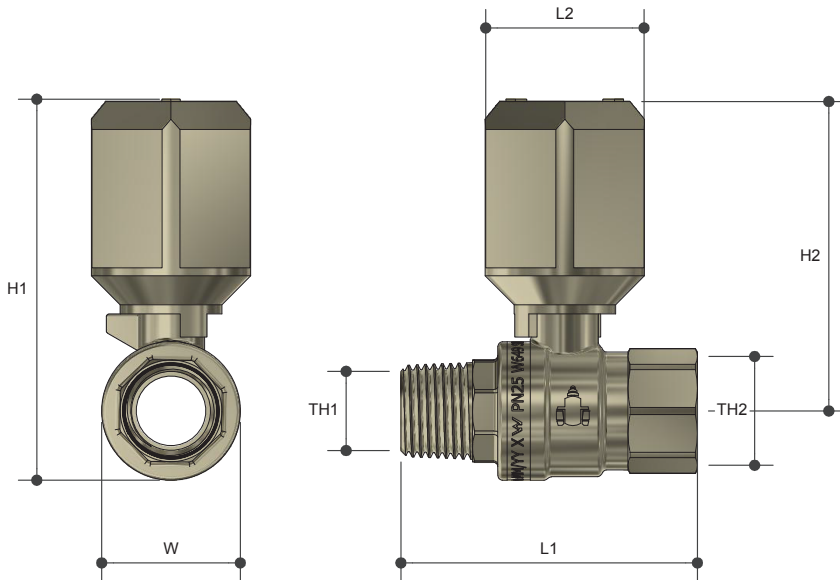


WATERMARKED BALL VALVE

Underground MI X FI

Product Specifications



Specifications

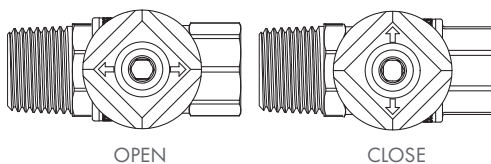
Working temperature -20°C to 120°C

Maximum pressure rating Water 2500kPa Gas 2100kPa

Sizing Chart (MM)

	L1	L2	H1	H2	W	TH1	TH2
UW15M	64	34	83	67	30	R 1/2"	Rp 1/2"
UW20M	73	34	89	71	37	R 3/4"	Rp 3/4"
UW25M	87	34	96	75	46	R 1"	Rp 1"
UW32M	100	34	110	82	58	R 1 1/4"	Rp 1 1/4"
UW40M	113	34	122	87	69	R 1 1/2"	Rp 1 1/2"
UW50M	130	34	138	96	84	R 2"	Rp 2"

Arrow Orientation



Features

Watermark and AGA approved

Full Bore

100% pressure tested

Available in sizes 15mm (1/2") to 50mm (2")

Blow proof spindle

Suitable for underground installations

Tested and certified to:

AS4796 (for Water) | AS4617 (for Gas)

Material Chart

Part	Material
Body	DR Brass
Seal	PTFE
Ball (15-40MM)	DR Brass
Ball (50MM)	Stainless Steel
Bonnet	DR Brass
Spindle (15-40MM)	DR Brass
Spindle (50MM)	Stainless Steel
O Ring	FKM
Handle	Stainless Steel
Lock Nut	Stainless Steel

For more information on Logi Valve, contact:

Austworld 15 Activity Crescent, Molendinar, Queensland 4214 Australia

P. 1300 780 430

F. 1300 780 441

E. info@austworld.com.au

Austworld Pty Ltd. All rights reserved 2018. Austworld and Logi Valve are registered trade mark belonging to Austworld Pty Ltd.

