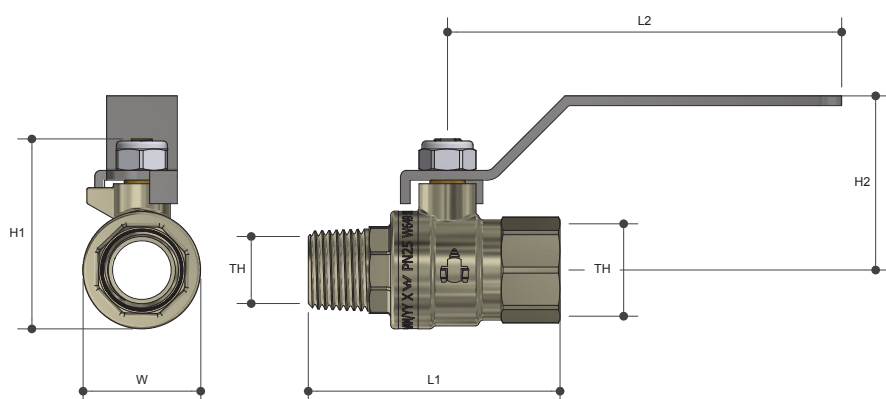


WATERMARKED BALL VALVE

Lever Handle MI X FI

Product Specifications



Specifications

Working temperature -20°C to 120°C

Maximum pressure rating Water 2500kPa Gas 2100kPa

Features

Watermark and AGA approved

Full bore

100% pressure tested

Available in sizes 15mm (1/2") to 50mm (2")

Blow proof spindle

Tested and certified to WMTS012

Sizing Chart (MM)

	L1	L2	H1	H2	W	TH1	TH2
W15M	64	101	48	44	30	R 1/2"	Rp 1/2"
W20M	73	101	55	48	37	R 3/4"	Rp 3/4"
W25M	87	101	64	52	46	R 1"	Rp 1"
W32M	100	140	80	71	58	R 1 1/4"	Rp 1 1/4"
W40M	113	140	92	77	69	R 1 1/2"	Rp 1 1/2"
W50M	130	140	108	85	84	R 2"	Rp 2"

Material Chart

Part	Material
Body	DR Brass
Seal	PTFE
Ball (15-40)	DR Brass
Ball (50)	Stainless Steel
Bonnet	DR Brass
Spindle (15-40)	DR Brass
Spindle (50)	Stainless Steel
O Ring	FKM
Handle	Stainless Steel
Lock Nut	Stainless Steel

For more information on Logi Valve, contact:

Austworld 15 Activity Crescent, Molendinar, Queensland 4214 Australia

P. 1300 780 430

F. 1300 780 441

E. info@austworld.com.au

Austworld Pty Ltd. All rights reserved 2018. Austworld and Logi Valve are registered trade mark belonging to Austworld Pty Ltd.

