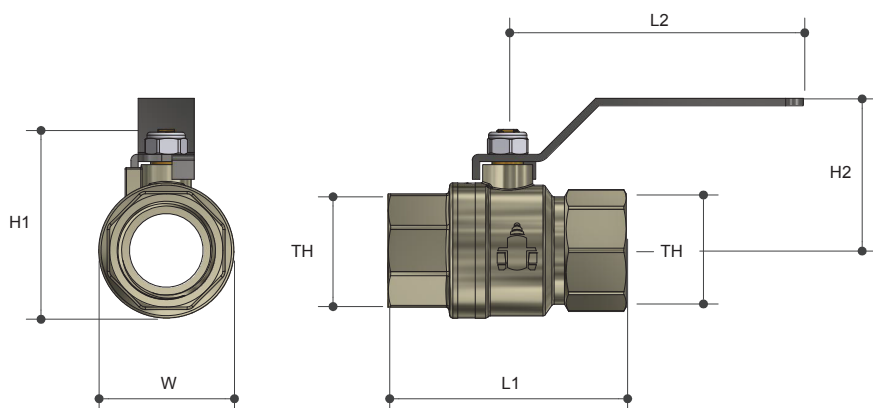


WATERMARKED BALL VALVE

Stainless Steel Lever Handle FI X FI

Product Specifications



Specifications

Working temperature 1 °C to 120 °C

Maximum pressure rating 2500kPa

Sizing Chart (MM)

	L1	L2	H1	H2	W	TH
W15FSS	58	100	48	44	30	Rp 1/2"
W20FSS	66	100	55	48	37	Rp 3/4"
W25FSS	81	100	64	52	46	Rp 1"
W32FSS	91	140	80	71	58	Rp 1 1/4"
W40FSS	102	140	92	77	69	Rp 1 1/2"
W50FSS	121	140	108	85	84	Rp 2"
W65FSS	150	232	143	110	108	Rp 2 1/2"
W80FSS	177	232	166	122	130	Rp 3"
W100FSS	212	232	195	136	160	Rp 4"

Features

Watermark approved

Full bore

100% pressure tested

Available in sizes 15mm (1/2") to 100mm (4")

Blow proof spindle

316 Stainless steel handle, balls, nut

Tested and certified to AS4796

Material Chart

Part	Material
Body	DR Brass
Seal	PTFE
Ball	Stainless Steel
Bonnet	DR Brass
Handle	Stainless Steel
Lock Nut	Stainless Steel
O Ring	EPDM
Spindle 15-40mm	DR Brass
Spindle 50mm	316 Stainless Steel

For more information on Logi Valve, contact:

Austworld 15 Activity Crescent, Molendinar, Queensland 4214 Australia

P. 1300 780 430

F. 1300 780 441

E. info@austworld.com.au

Austworld Pty Ltd. All rights reserved 2018. Austworld and Logi Valve are registered trade mark belonging to Austworld Pty Ltd.

