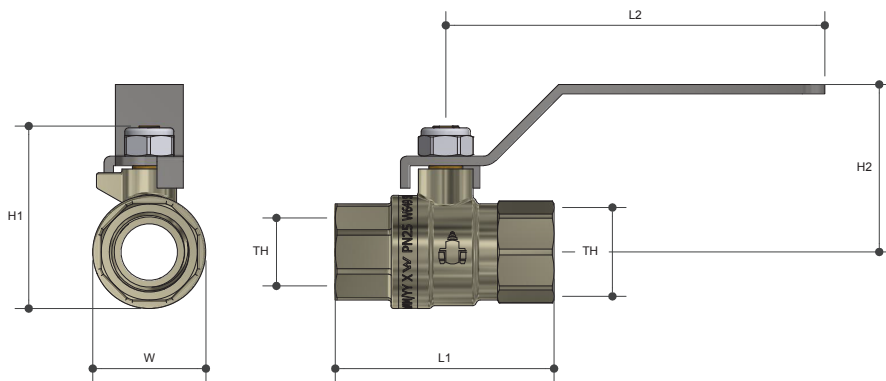


WATERMARKED BALL VALVE

Lever Handle FI X FI Lilac

Product Specifications



Features

Watermark and AGA approved

Full bore

100% pressure tested

Available in sizes 15mm (1/2") to 50mm (2")

Blow proof spindle

Tested and certified to WMTS012

Specifications

Working temperature -20°C to 120°C

Maximum pressure rating Water 2500kPa Gas 2100kPa

Sizing Chart (MM)

	L1	L2	H1	H2	W	TH
W15LF	64	101	48	44	30	Rp 1/2"
W20LF	66	101	55	48	37	Rp 3/4"
W25LF	80	101	64	52	46	Rp 1"
W32LF	91	140	80	71	58	Rp 1 1/4"
W40LF	102	140	92	77	69	Rp 1 1/2"
W50LF	121	140	108	85	84	Rp 2"

Material Chart

Part	Material
Body	DR Brass
Seal	PTFE
Ball (15-40MM)	DR Brass
Ball (50-100MM)	Stainless Steel
Spindle (15-40MM)	DR Brass
Spindle (50-100MM)	Stainless Steel
O Ring	FKM
Handle	Stainless Steel
Lock Nut	Stainless Steel
Bonnet	DR Brass

For more information on Logi Valve, contact:
Austworld 15 Activity Crescent, Molendinar, Queensland 4214 Australia

P. 1300 780 430 F. 1300 780 441 E. info@austworld.com.au

Austworld Pty Ltd. All rights reserved 2018. Austworld and Logi Valve are registered trade mark belonging to Austworld Pty Ltd.

