

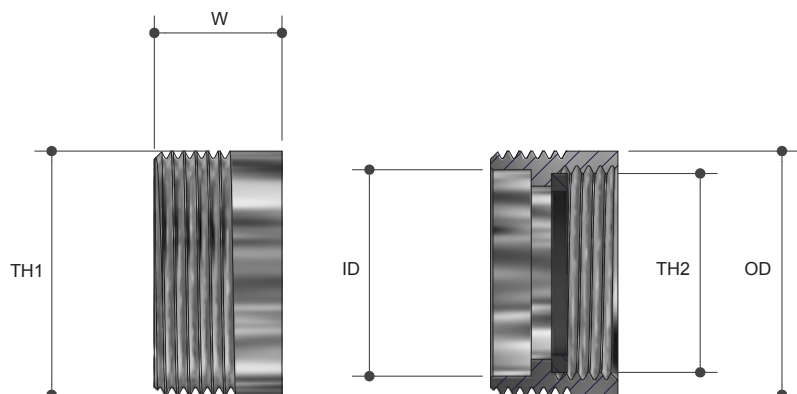
Plug and Waste Accessories

TRAP ADAPTOR DELUXE

WA250 | WA320

Product Specifications

MT MONOPOLY™
T A P W A R E



Specifications

40MM Outlet thread

Suits 32mm and 40mm basins

Features



Watermark approved

Chrome plated finish Brass

Sizing Chart (MM)

	W	OD	ID	TH1	TH2	SIZE
WA250	25	48	41	G 1 1/2"	G 1 1/4"	32FI X 40MI
WA320	21	52	33	G 1 1/4"	G 1 1/2"	32MI X 40FI

For more information on Monopoly Tapware, contact:
Austworld 15 Activity Crescent, Molendinar, Queensland 4214 Australia

P. 1300 780 430 F. 1300 780 441 E. info@austworld.com.au

Austworld Pty Ltd. All rights reserved 2018. Austworld and Monopoly Tapware are registered trade mark belonging to Austworld Pty Ltd.

AW
AUSTWORLD