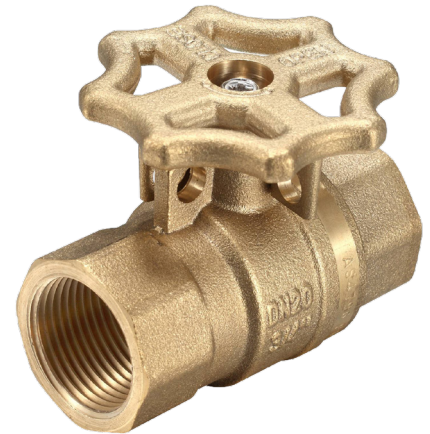
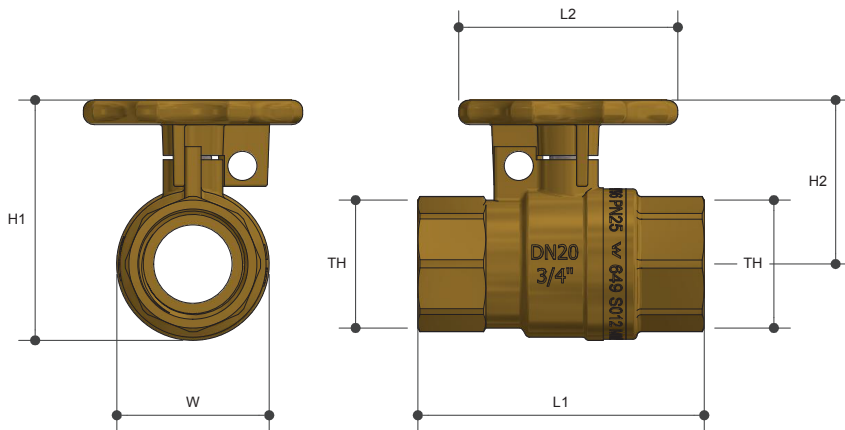


WATER SERVICE BALL VALVES

Inline FI X FI

Product Specifications



Specifications

Working temperature 1°C to 90°C

Max. pressure rating 2500kPa

Sizing Chart (MM)

	L1	L2	H1	H2	W	TH
WB20FBWA	53	53	53	70	40	Rp 3/4"

Features

Watermark approved

DR Brass

100% pressure tested

316 stainless steel ball and spindle

Lockable ON and OFF

Tested and certified to AS 4796

Material Chart

Part	Material
Body	DR Brass
Handle	DR Brass
Ball	Stainless Steel
Cap	DR Brass
O Ring	EPDM
Seal	PTFE
Spindle	Stainless Steel
Screw M4 x 8	Stainless Steel 304

For more information on Logi Civil, contact:
Austworld 15 Activity Crescent, Molendinar, Queensland 4214 Australia
P. 1300 780 430 F. 1300 780 441 E. info@austworld.com.au

Austworld Pty Ltd. All rights reserved 2018.
Austworld and Logi Civil are registered trade mark belonging to Austworld Pty Ltd.

