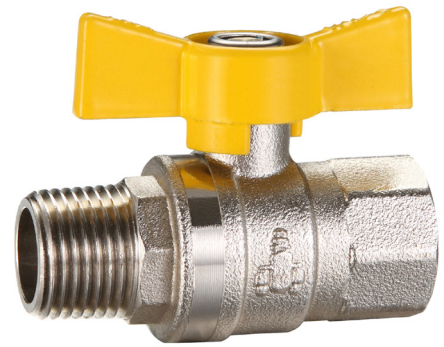
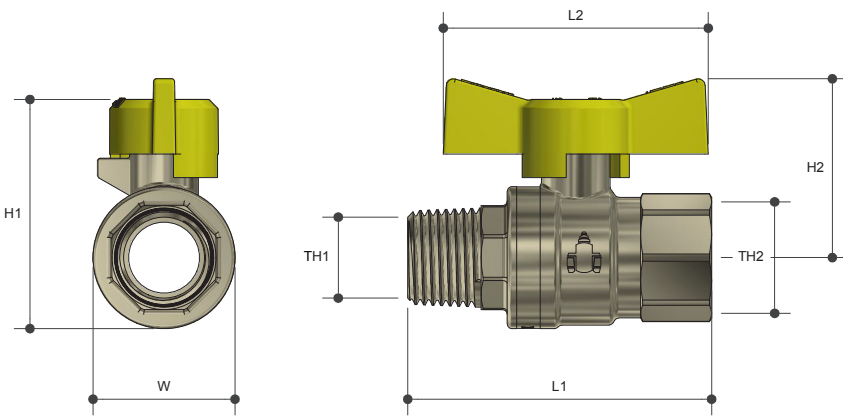


# GAS APPROVED BALL VALVE

Butterfly Handle MI X FI

Product Specifications



## Specifications

Working temperature -20°C to 120°C

Maximum pressure rating 2100 kPa

## Sizing Chart (MM)

	L1	L2	H1	H2	W	TH1	TH2
WB15M	64	56	48	38	30	R 1/2"	Rp 1/2"
WB20M	73	56	55	41	37	R 3/4"	Rp 3/4"
WB25M	87	56	64	45	46	R 1"	Rp 1"

## Features

AGA approved

Full bore

100% pressure tested

Available in sizes 15mm (1/2") to 25mm (1")

Blow proof spindle

Aluminium handle

Tested and certified to AS 4617

## Material Chart

Part	Material
Body	DR Brass
Seal	PTFE
Ball	DR Brass
Bonnet	DR Brass
Spindle	DR Brass
O Ring	HNBR
Handle	Aluminium
Lock Nut	Stainless Steel

For more information on Logi Valve, contact:  
Austworld 15 Activity Crescent, Molendinar, Queensland 4214 Australia

P. 1300 780 430 F. 1300 780 441 E. info@austworld.com.au

Austworld Pty Ltd. All rights reserved 2018. Austworld and Logi Valve are registered trade mark belonging to Austworld Pty Ltd.

