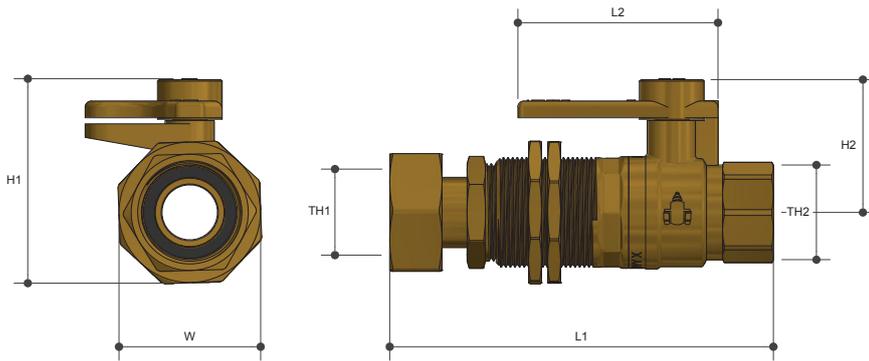


# SUB METERING

Ball Valve Fixed Lockable

Product Specifications



## Specifications

Working temperature 1°C to 90°C

Max. pressure rating 1600kPa

Meter thread

## Features

Watermark approved

Maximum valve adjustment

100% pressure tested

Locking nut on coupling

## Sizing Chart (MM)

	L1	L2	H1	H2	W	TH1	TH2
WB20MBLMK1	108	50	63	44	43	Rp 3/4"	DN20*
WB20MBLMK2	110	50	65	44	48	Rp 3/4"	DN25**

\* Meter thread QLD/VIC AS 3565

\*\* Meter thread NSW AS 3565

## Material Chart

Part	Material
Body	DR Brass
Captive Nut	DR Brass
Adaptor	DR Brass
Handle	Brass
Ball	Stainless Steel
O Ring	FKM
Washer	EPDM
Spring	Stainless Steel

For more information on Logi Civil, contact:  
Austworld 15 Activity Crescent, Molendinar, Queensland 4214 Australia  
P. 1300 780 430 F. 1300 780 441 E. info@austworld.com.au

Austworld Pty Ltd. All rights reserved 2018.  
Austworld and Logi Civil are registered trade mark belonging to Austworld Pty Ltd.

