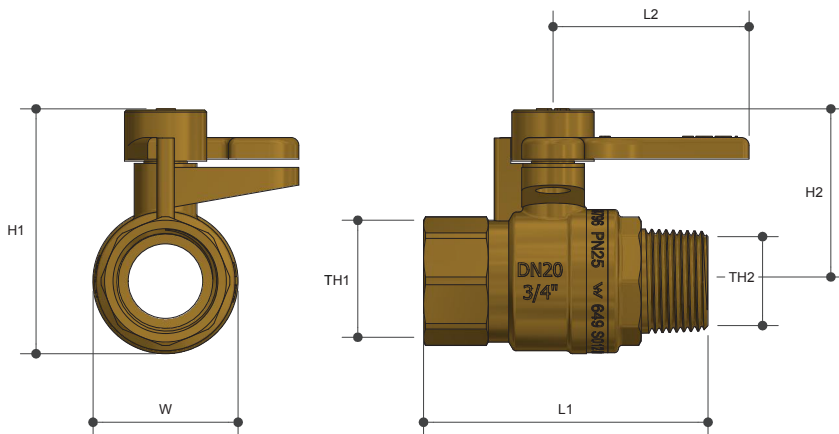


WATER SERVICE BALL VALVES

Inline MI X FI Lockable

Product Specifications



Specifications

Working temperature 1°C to 90°C

Max. pressure rating 2500kPa

Sizing Chart (MM)

	L1	L2	H1	H2	W	TH1	TH2
WB20MBL	73	50	62	43	37	Rp 3/4"	R 3/4"
WB25MBL	87	56	73	50	46	Rp 1"	R 1"

Features

Watermark approved

DR Brass

Full Bore

100% pressure tested

Lockable ON and OFF

Tested and certified to AS 4796

Material Chart

Part	Material
Seal	PTFE
Nut	Stainless Steel
Body	DR Brass
Handle	DR Brass
Ball	Stainless Steel
Cap	DR Brass
O Ring	FKM
Spindle	DR Brass

For more information on Logi Civil, contact:
 Austworld 15 Activity Crescent, Molendinar, Queensland 4214 Australia
 P. 1300 780 430 F. 1300 780 441 E. info@austworld.com.au

Austworld Pty Ltd. All rights reserved 2018.
 Austworld and Logi Civil are registered trade mark belonging to Austworld Pty Ltd.

