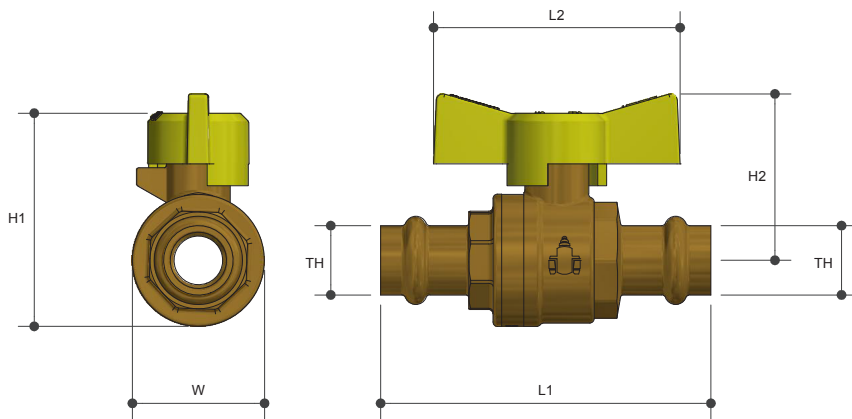


GAS APPROVED BALL VALVE

Pressfit CU X CU Butterfly Handle

Product Specifications



Specifications

Working temperature -20°C to 120°C

Maximum pressure rating 2100kPa

Sizing Chart (MM)

	L1	L2	H1	H2	W	TH
WBG15	75	56	48	44	30	DN15
WBG20	87	56	55	48	37	DN20
WBG25	101	56	64	52	46	DN20

Features

AGA approved

Full bore

100% pressure tested

Available in sizes 15mm (1/2") to 25mm (1")

Blow proof spindle

Aluminium handle

For use with Viega, Rothenberger, Kempres, Rems & V-Profile Tools only

Tested and certified to AS 4617

Material Chart

Part	Material
Body	Brass
Seal Seat	PTFE
Ball	Brass
Bonnet	Brass
Spindle	Brass
O Ring	HNBR
Cap	Brass
Handle	Aluminium
Lock Nut	Stainless Steel

For more information on Logi Valve, contact:
Austworld 15 Activity Crescent, Molendinar, Queensland 4214 Australia
P. 1300 780 430 F. 1300 780 441 E. info@austworld.com.au

Austworld Pty Ltd. All rights reserved 2018. Austworld and Logi Valve are registered trade mark belonging to Austworld Pty Ltd.

