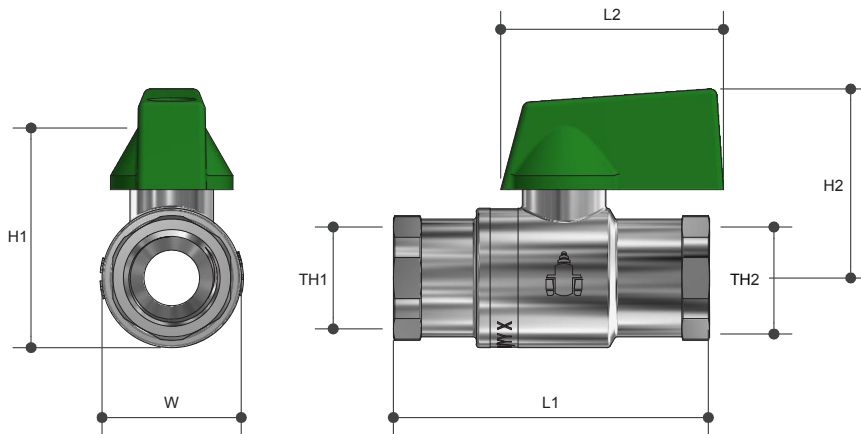


WATERMARKED BALL VALVE

Mini Ball Valve FI X FI

Product Specifications



Specifications

Working temperature -20°C to 120°C

Maximum pressure rating 2500kPa

Sizing Chart (MM)

	L1	L2	H1	H2	W	TH1	TH2
WMBV06H	45	32	32	27	20	R 1/4"	Rp 1/4"
WMBV10H	45	32	32	27	20	R 3/8"	Rp 3/8"
WMBV20H	60	32	32	33	25	R 1/2"	Rp 1/2"

Features

Watermark approved

Full bore

100% pressure tested

Available in sizes from 6mm (1/4") to 20mm (3/4")

Tested and certified to WMTS012

Material Chart

Part	Material
Ball	DR Brass
Handle	Aluminium
Body	DR Brass
Cap	DR Brass
O Ring	FKM
Spindle	DR Brass
Seal	PTFE
Screw	Stainless Steel

For more information on Logi Valve, contact:
Austworld 15 Activity Crescent, Molendinar, Queensland 4214 Australia
P. 1300 780 430 F. 1300 780 441 E. info@austworld.com.au

Austworld Pty Ltd. All rights reserved 2018. Austworld and Logi Valve are registered trade mark belonging to Austworld Pty Ltd.

