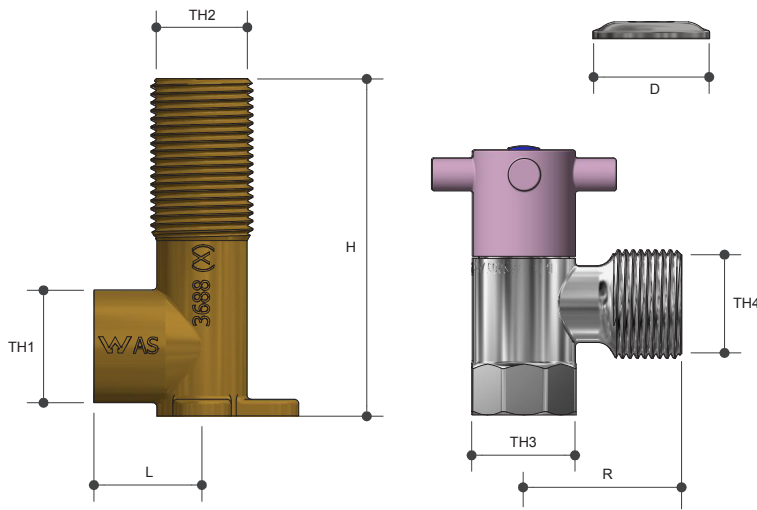


RECYCLED WATER KIT

Lilac Washing Machine Kit

Product Specifications



Specifications

Working temperature 1 °C to 60 °C

Maximum pressure rating 1000kPa

Sizing Chart (MM)

	L	H	R	D	TH1	TH2	TH3	TH4
WMRW	32	75	40	57	1/2"	5/8"	5/8"	3/4"
WMRW90	32	90	40	57	3/4"	5/8"	5/8"	3/4"
WMRW120	32	120	40	57	3/4"	5/8"	5/8"	3/4"

Features



Watermark approved

Tested and certified to AS/NZS 3718

Integral non return valve

No water hammer

Australian patent number 2003213322

Ceramic disc design

Material Chart

Part	Material
Body	DR Brass
Check Valve	POM
CIR Clip	Stainless Steel
Cartridge	DR Brass
Button	POM
Handle Screw	Stainless Steel
Handle	Zinc
Cap	DR Brass
Cover Plate	Stainless Steel

For more information on Metforge, contact:

Austworld 15 Activity Crescent, Molendinar, Queensland 4214 Australia

P. 1300 780 430

F. 1300 780 441

E. info@austworld.com.au

Austworld Pty Ltd. All rights reserved 2018. Austworld and Metforge are registered trade mark belonging to Austworld Pty Ltd.

