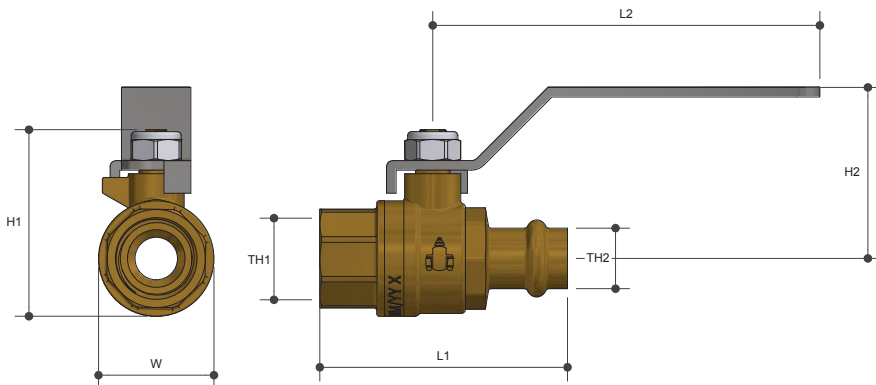


# WATERMARKED BALL VALVE

Pressfit CU X FI Lever Handle

Product Specifications



## Features

Watermark approved

Full bore

Available in sizes 15mm (1/2") to 50mm (2")

100% pressure tested

Blow proof spindle

For use with Viega, Rothenberger, Novopress, Kempress, Rems & V-Profile Tools only

Tested and certified to WMTS012

## Specifications

Working temperature -20°C to 150°C

Maximum pressure rating 2500kPa

## Sizing Chart (MM)

	L1	L2	H1	H2	W	TH1	TH2
WP15F	64	101	48	44	30	Rp 1/2"	DN15
WP20F	73	101	55	48	37	Rp 3/4"	DN20
WP25F	89	101	64	52	46	Rp 1"	DN25
WP32F	98	140	80	71	58	Rp 1 1/4"	DN32
WP40F	115	140	92	77	69	Rp 1 1/2"	DN40
WP50F	138	140	108	85	84	Rp 2"	DN50

## Material Chart

Part	Material
Body	DR Brass
Seal	PTFE
Ball (15-40MM)	DR Brass
Ball (50MM)	Stainless Steel
Spindle (15-40MM)	DR Brass
Spindle (50MM)	Stainless Steel
Bonnet	DR Brass
O Ring	FKM
Handle	Stainless Steel
Lock Nut	Stainless Steel

For more information on Logi Valve, contact:  
 Austworld 15 Activity Crescent, Molendinar, Queensland 4214 Australia  
 P. 1300 780 430 F. 1300 780 441 E. info@austworld.com.au

Austworld Pty Ltd. All rights reserved 2018. Austworld and Logi Valve are registered trade mark belonging to Austworld Pty Ltd.

