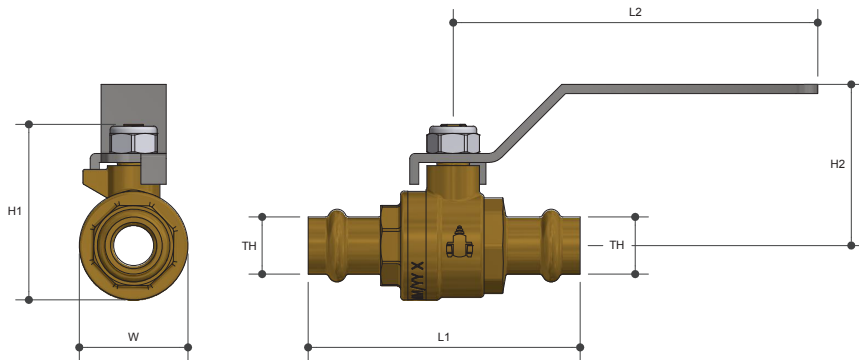


WATERMARKED BALL VALVE

Pressfit CU X CU Lever Handle

Product Specifications



Features

Watermark approved

Full bore

Available in sizes 15mm (1/2") to 50mm (2")

100% pressure tested

Blow proof spindle

For use with Viega, Rothenberger, Novopress, Kempress, Rems & V-Profile Tools only

Tested and certified to WMTS012

Specifications

Working temperature -20°C to 150°C

Maximum pressure rating 2500kPa

Sizing Chart (MM)

| | L1 | L2 | H1 | H2 | W | TH |
|------|-----|-----|-----|----|----|------|
| WP15 | 75 | 101 | 48 | 44 | 30 | DN15 |
| WP20 | 87 | 101 | 55 | 48 | 37 | DN20 |
| WP25 | 101 | 101 | 64 | 52 | 46 | DN25 |
| WP32 | 114 | 140 | 80 | 71 | 58 | DN32 |
| WP40 | 135 | 140 | 92 | 77 | 69 | DN40 |
| WP50 | 163 | 140 | 108 | 85 | 84 | DN50 |

Material Chart

| Part | Material |
|-------------------|-----------------|
| Body | DR Brass |
| Seal | PTFE |
| Ball (15-40MM) | DR Brass |
| Ball (50MM) | Stainless Steel |
| Spindle (15-40MM) | DR Brass |
| Spindle (50MM) | Stainless Steel |
| Bonnet | DR Brass |
| O Ring | FKM |
| Handle | Stainless Steel |
| Lock Nut | Stainless Steel |

For more information on Logi Valve, contact:
 Austworld 15 Activity Crescent, Molendinar, Queensland 4214 Australia
 P. 1300 780 430 F. 1300 780 441 E. info@austworld.com.au

Austworld Pty Ltd. All rights reserved 2018. Austworld and Logi Valve are registered trade mark belonging to Austworld Pty Ltd.

