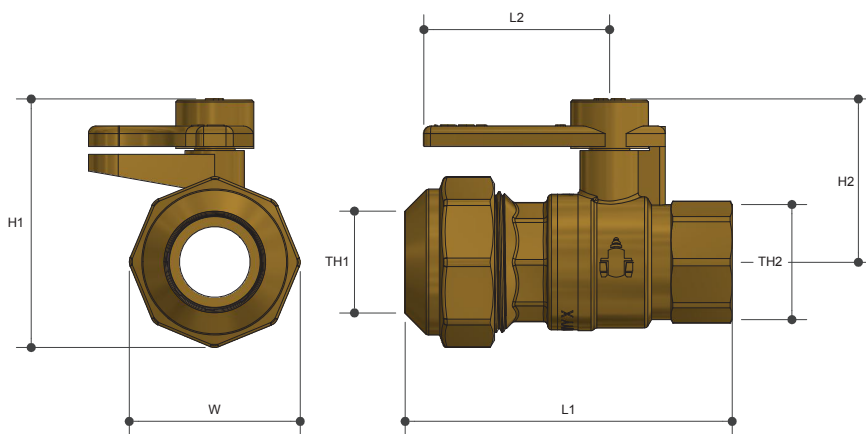


# WATER SERVICE BALL VALVES

Poly Connection DN X FI Lockable

Product Specifications



## Specifications

Working temperature -20°C to 60°C

Max. pressure rating 1600kPa

## Sizing Chart (MM)

	L1	L2	H1	H2	W	TH1	TH2
WPE2025FL	88	50	67	44	46	DN25	Rp 3/4"
WPE2532FL	101	56	77	49	54	DN32	Rp 1"

## Material Chart

Part	Material
Seal	PTFE
Nut	Stainless Steel
Body	DR Brass
Handle	DR Brass
Ball	Stainless Steel
Cap	DR Brass
O Ring	FKM
Spindle	DR Brass

## Features

Watermark approved

DR Brass

Full Bore

100% pressure tested

No disassembly required, pipe can be inserted without disassembling the fitting

Triple lip seal

No fidly thimbles or grab rings

Spare parts available

Tested and certified to AS 4796

For more information on Logi Civil, contact:  
Austworld 15 Activity Crescent, Molendinar, Queensland 4214 Australia  
P. 1300 780 430 F. 1300 780 441 E. info@austworld.com.au

Austworld Pty Ltd. All rights reserved 2018.  
Austworld and Logi Civil are registered trade mark belonging to Austworld Pty Ltd.

