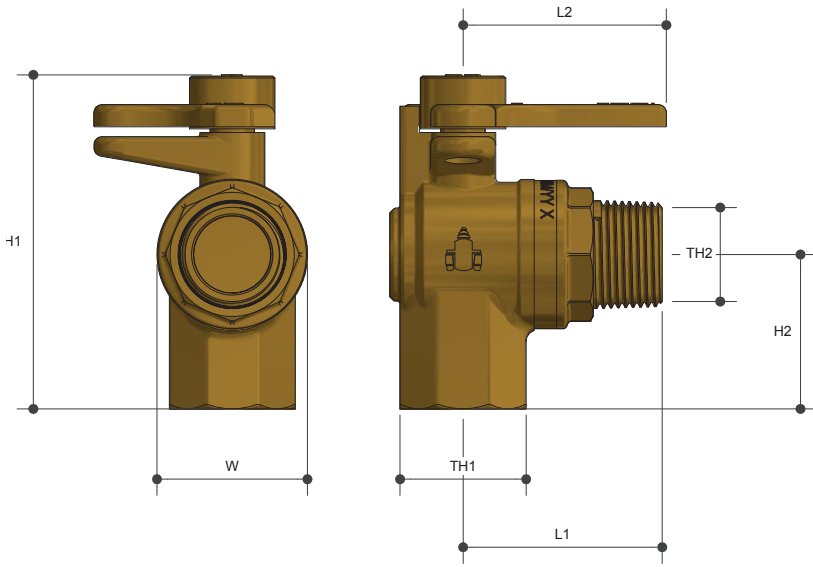


WATER SERVICE BALL VALVES

Right Angle Fl X MI Lockable

Product Specifications



Specifications

Working temperature 1 °C to 90 °C

Max. pressure rating 2500kPa

Features

Watermark approved

DR Brass

Full Bore

100% pressure tested

Lockable ON and OFF

WSAA Appraised

Tested and certified to AS 4796

Sizing Chart (MM)

	L1	L2	H1	H2	W	TH1	TH2
WRA20M	49	50	82	38	37	Rp 3/4"	R 3/4"

Material Chart

Part	Material
Body	DR Brass
Cap	DR Brass
Seal	PTFE
Ball	Stainless Steel
Handle	DR Brass
O Ring	FKM
Retaining Ring	PA

For more information on Logi Civil, contact:
 Austworld 15 Activity Crescent, Molendinar, Queensland 4214 Australia
 P. 1300 780 430 F. 1300 780 441 E. info@austworld.com.au

Austworld Pty Ltd. All rights reserved 2018.
 Austworld and Logi Civil are registered trade mark belonging to Austworld Pty Ltd.

