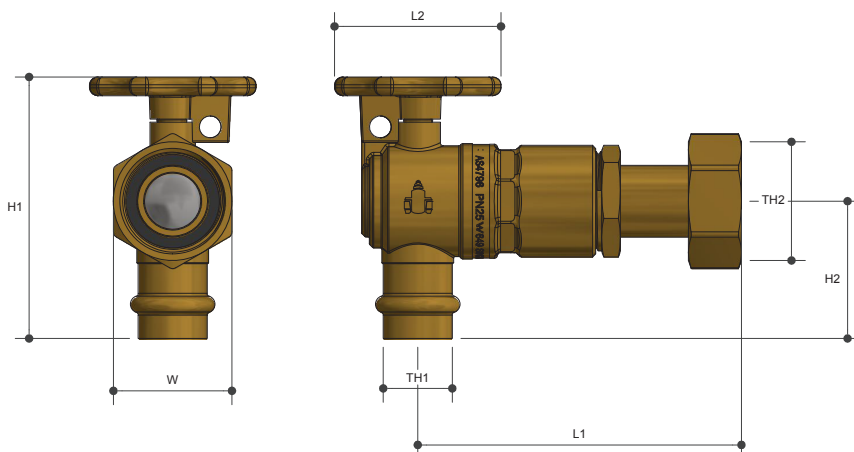


WATER SERVICE BALL VALVES

Right Angle Extension FI X CU

Product Specifications



Specifications

Working temperature 1 °C to 90 °C

Max. pressure rating 2500kPa

Sizing Chart (MM)

	L1	L2	H1	H2	W	TH1	TH2
WRWPE20	104	53	84	44	37	DN20	DN20*
WRWPE25	111	53	94	54	46	DN25	DN25*

* Meter thread QLD/VIC AS 1722.2

Material Chart

Part	Material
Seal	PTFE
Nut	DR Brass
Body	DR Brass
Handle	DR Brass
Ball	Stainless Steel
Cap	DR Brass
O Ring	FKM
Washer	EPDM
Spindle	DR Brass

For more information on Logi Civil, contact:

Austworld 15 Activity Crescent, Molendinar, Queensland 4214 Australia

P. 1300 780 430

F. 1300 780 441

E. info@austworld.com.au

Features

Watermark approved

DR Brass

Full bore

100% pressure tested

Lockable ON and OFF

Telescopic coupling w/ double O ring and locking nut

Swivel nut

WSAA appraised

Press fit Connection

Tested and certified to AS 4796