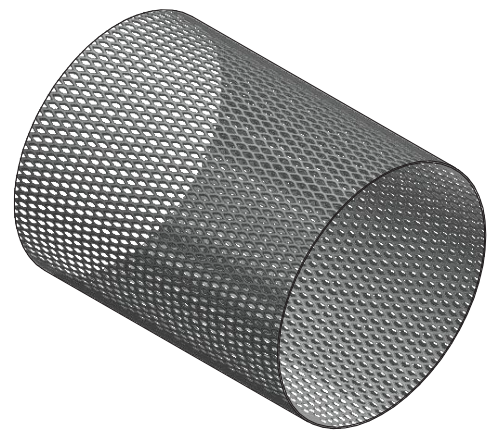
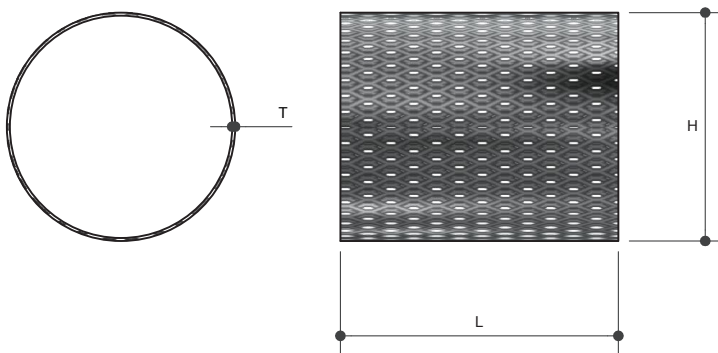


# Y STRAINER

Mesh

Product Specifications



To be used in WYS and YS products

## Sizing Chart (MM)

	L	H	W	MESH SIZE
WYM15	24	19	0.3	350 MICRON
WYM20	28	23	0.3	350 MICRON
WYM25	38	27	0.3	350 MICRON
WYM32	48	35	0.3	500 MICRON
WYM40	57	43	0.3	500 MICRON
WYM50	67	53	0.3	500 MICRON

## Material Chart

Part	Material
Mesh	Stainless Steel

For more information on Metforge, contact:  
Austworld 15 Activity Crescent, Molendinar, Queensland 4214 Australia  
P. 1300 780 430 F. 1300 780 441 E. [info@austworld.com.au](mailto:info@austworld.com.au)

Austworld Pty Ltd. All rights reserved 2018. Austworld and Metforge are registered trade mark belonging to Austworld Pty Ltd.

