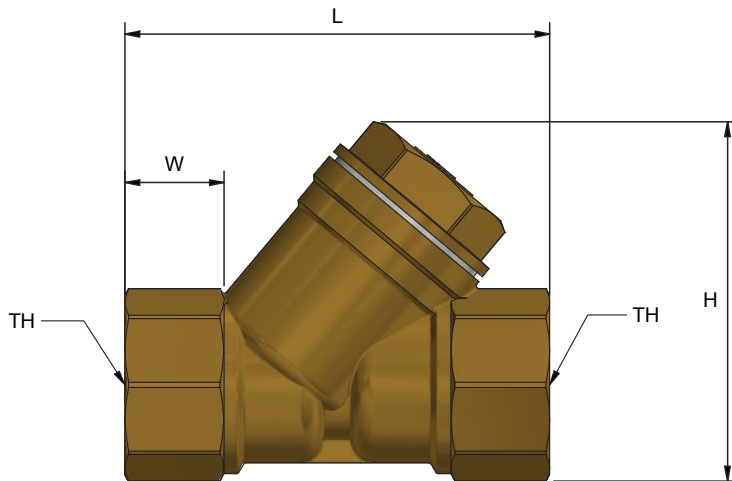


Y STRAINER

Y Strainer General Purpose

Product Specifications

Metforge®
brassware



Specifications

Working temperature 0°C - 99°C

Maximum pressure 1600kPa

Mesh Size

- 15MM-25MM 350 Micron
- 32MM-50MM 500 Micron

Sizing Chart [MM]

	L	H	W	TH	FILTERS (micron)
YS15	64	52	15	Rp 1/2"	350
YS20	73	60	17	Rp 3/4"	350
YS25	91	72	25	Rp 1"	350
YS32	108	93	25	Rp 1 1/4"	500
YS40	114	106	25	Rp 1 1/2"	500
YS50	143	128	31	Rp 2"	500

Features



DR Brass

SS304 Filter

Tested and certified to AS 3688

Material Chart

Part	Material
Cap	DR Brass
Body	DR Brass
Washer	PTFE
Strainer	Stainless Steel

For more information on Metforge, contact:

Austworld 15 Activity Crescent, Molendinar, Queensland 4214 Australia

P. 1300 780 430

F. 1300 780 441

E. info@austworld.com.au

Austworld Pty Ltd. All rights reserved 2018. Austworld and Metforge are registered trade mark belonging to Austworld Pty Ltd.

AW
AUSTWORLD