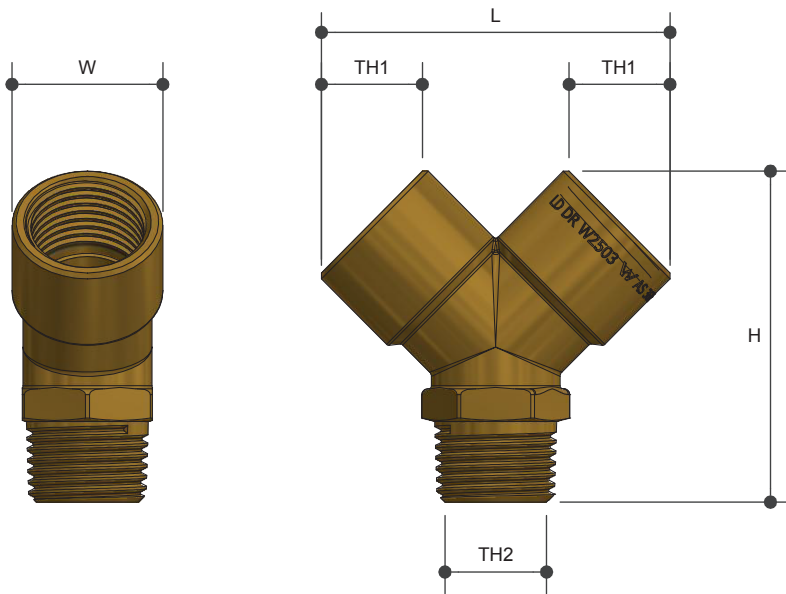


SCREWED BRASSWARE

Y Piece

Product Specifications

Metforge®
brassware



Specifications

Working temperature 1°C - 95°C

Maximum pressure rating 1600kPa

Sizing Chart (MM)

| | L | H | W | TH1 | TH2 |
|------|----|----|----|---------|------|
| Y001 | 59 | 55 | 26 | Rp 1/2" | R 3" |

Features



Watermark approved

DR Brass

Tested and certified to AS 3688

Material Chart

| Part | Material |
|---------|----------|
| Y Piece | DR Brass |

For more information on Metforge, contact:

Austworld 15 Activity Crescent, Molendinar, Queensland 4214 Australia

P. 1300 780 430

F. 1300 780 441

E. info@austworld.com.au

Austworld Pty Ltd. All rights reserved 2018. Austworld and Metforge are registered trade mark belonging to Austworld Pty Ltd.

AW
AUSTWORLD