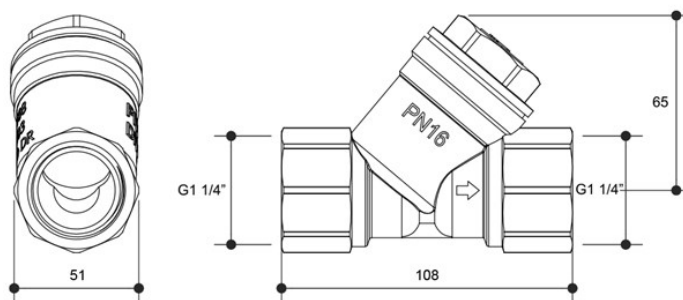


YS32

Product Specifications

Y Strainer Brass 32MM



Unit is shipped in 1 per box

FEATURES

Finish: Brass
General Purpose: Yes
Metal Type: Common Brass

SPECIFICATIONS

Maximum Water Pressure (KPa): 1600
Water Working Temperature °C: 1 to 99

WARRANTY

12 months on Product or Parts



Austworld Commodities Pty Ltd ABN: 88 374 217 957 ACN: 88 374 217 957

This information must only be used for accessing a products suitability for your specific application. The information remains the intellectual property of Austworld and must not be used or reproduced for any other purpose without Austworld's prior written permission.



1300 780 430
www.austworld.com.au